



BEVERAGE-AIR®

Project: _____	AIA#
Item: _____	
Location: _____	SIS#
Approved: _____	

NC51HC NOVELTY FREEZER: SLANT TOP BUNKERS

NC SLANT TOP BUNKERS

NC51HC Novelty Freezers
Hydrocarbon Series

MODEL:
NC51HC-1-W



3 Year Parts/Labor Warranty
Additional 4 Year Compressor Warranty

CABINET CONSTRUCTION

- Exterior is white coated steel
- Interior is white painted steel surface
- Low energy consumption
- LED lighting
- Adjustable thermostat
- Operating temperature of -10°F to 0°F
- Angle top design with LowE tempered glass lids
- Lids are easily removable with lid lock & keys standard
- Round exterior edges
- Integrated tag molding
- 2" heavy duty casters
- Drain plug for easy cleaning
- 5 Removable baskets, standard

OPTIONS & ACCESSORIES

- 2 Ring tub holder

REFRIGERATION SYSTEM

- Refrigeration system uses R290 refrigerant to comply with all environmental concerns
- The unit is best suited for an environment where temperatures remain below 75°F and humidity does not exceed 55%
- Areas with direct sunlight should also be avoided



Please verify qualifying units by visiting:
www.energystar.gov/cfs

3779 Champion Blvd., Winston-Salem, NC 27105
1-888-845-9800 Fax: 1-336-245-6453
Beverage-Air.com Sales@bevair.com



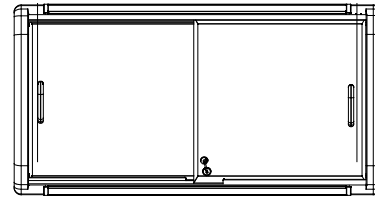
BEVERAGE-AIR

MODEL	NC51HC-1-W
EXTERNAL DIMENSIONAL DATA	
Width Overall	50 ³ / ₈ "
Depth Overall	26 ³ / ₈ "
Height Overall (with casters)	36 ⁷ / ₈ "
Number of Lids	2
Number of Baskets	5
INTERNAL DIMENSIONAL DATA	
NET Capacity (cubic ft.)	13.19
Internal Width Overall (in)	44 ¹ / ₈ "
Internal Depth Overall (in)	19 ¹¹ / ₁₆ "
Internal Front Height Overall (in)	23 ³ / ₁₆ "
Internal Rear Height Overall (in)	21 ¹¹ / ₁₆ "
ELECTRICAL DATA	
Full Load Amperes	3.5
REFRIGERATION DATA	
Horsepower*	1/4
SHIPPING DATA	
Gross Weight - Crated	200 lbs
Height - Crated	35 ¹ / ₁₀ "
Width - Crated	51 ¹ / ₈ "
Depth - Crated	27 ⁷ / ₁₀ "

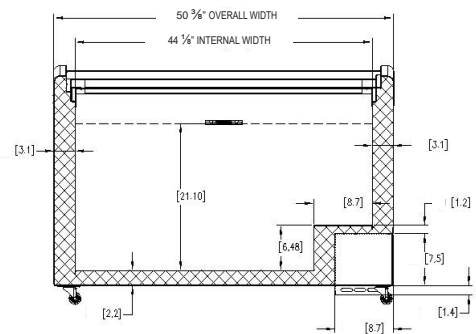
Slant Top Bunker Model: NC51HC-1-W

Model Views

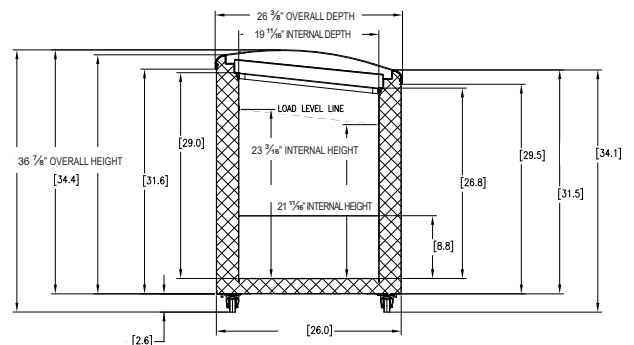
Requires 3" clearance on all sides



PLAN VIEW



ELEVATION VIEW



SIDE VIEW

*ELECTRICAL CONNECTION



120/60/1
NEMA 5-15P

Units pre-wired at factory and include 8' long cord and plug set.

